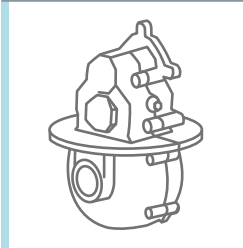
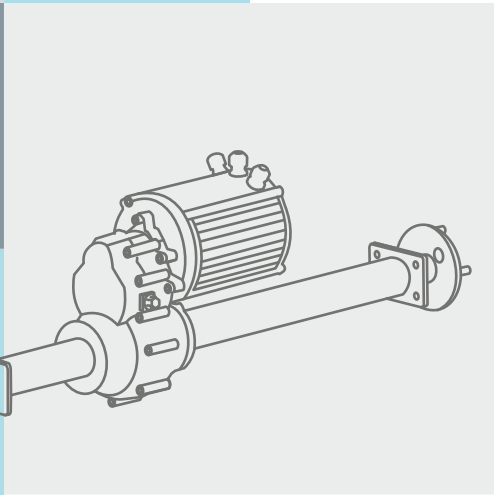
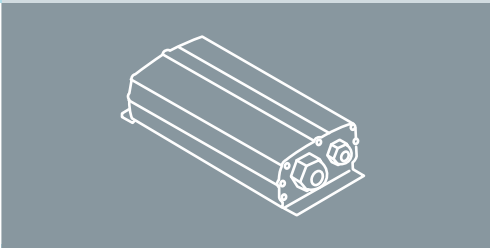
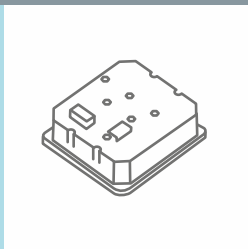
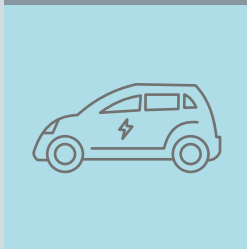
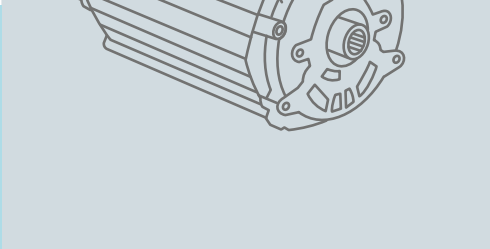
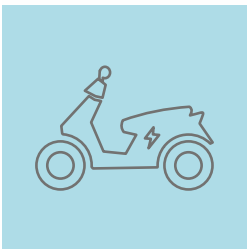
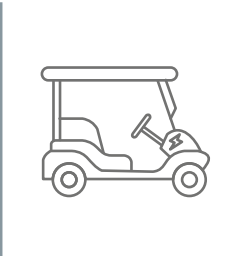
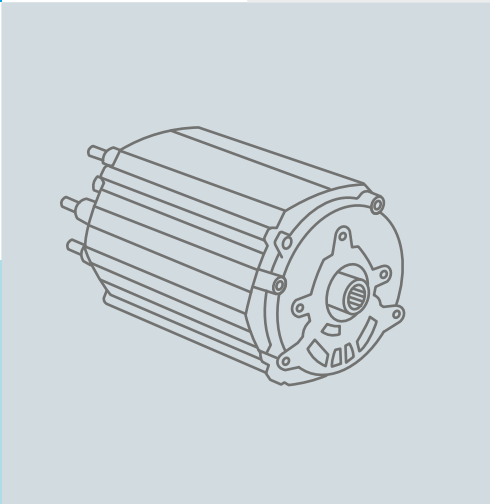
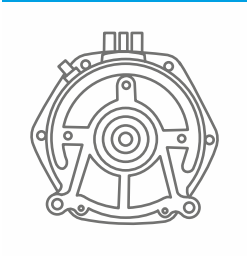
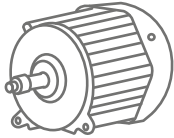





rotodrive
Powering e-mobility




DRIVE SOLUTIONS FOR E-VEHICLES




Rotodrive is unit of Rotomotive Powerdrives India Limited, part of Rotomag group, which since 25 years has been a leading manufacturer of PMDC motors, BLDC motors, AC motors, Gearboxes for a variety of battery operated applications, industrial as well as marine applications. Rotodrive Drive Solutions are ideally suited for harsh Indian conditions and high temperature fluctuations. After extensive in-house research and rigorous testing, the Rotodrive drive solutions offer higher reliability and superior performance which ensures that the e-vehicles using the drive train would benefit from a higher return on investment. A pan India support network ensures a quick response to customer needs.




Leader in Permanent Magnet & BLDC Motors in India




12 Lacs+ motors & Gearboxes installed



Core competence in PMDC, BLDC, AC, and Gear motor technologies




Joint ventures with European partners



Large production capacity & 2 lacs sq. feet factory space to facilitate quick ramp up



Exports to 35 countries globally



Supplies to critical applications like Automotive, Wind, Marine, Railways

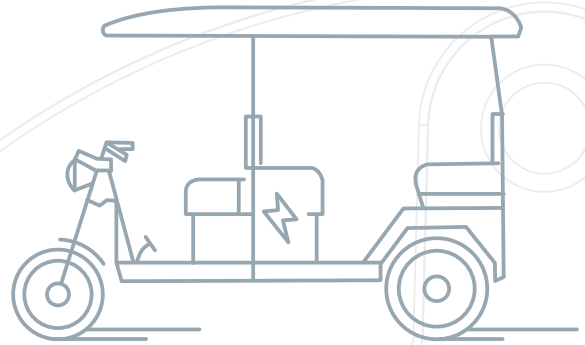
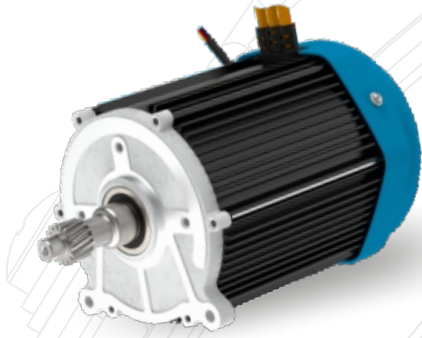


55+ service centres in India



500 employees



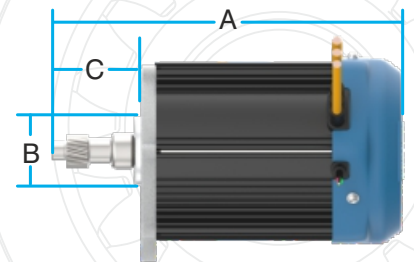


MAIN FEATURES

- RngMX Motor • BLDC Motor • Fan Cooled • Hall Sensor • IP - 65
- Pinion Shaft & Keyway Shaft • Efficient Motor (BLDC \geq 80%, RngMX \geq 85% Efficiency)

RngMX MOTOR SPECIFICATIONS & DIMENSIONS

Power (kW)	Rated Voltage (VDC)	Rated Torque (Nm)	Rated Current (Amps DC)	Rated Speed (RPM)	Pinion Data		Dimensional Data		
					Module	No. of Teeth	A	B	C
1	48	2.8	24.5	3400	1.25	16	212	50	66
1.2		3.4	29.5	3400					
1.5		3.7	37	3900			242		
2		5	49	3900					



BLDC MOTOR SPECIFICATIONS & DIMENSIONS

Power (kW)	Rated Voltage (VDC)	Rated Torque (Nm)	Rated Current (Amps DC)	Rated Speed (RPM)	Pinion Data		Dimensional Data		
					Module	No. of Teeth	A	B	C
1	48	3.5	32	3000	1.25	16	212	50	66
1.2		4.1	35						
1.5		4.9	49	3600			242		
2		5	60						

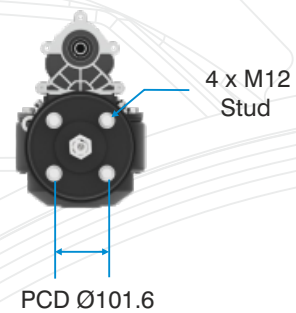
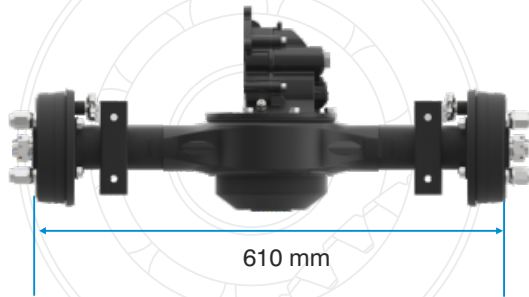
CONTROLLER SPECIFICATIONS

Power (kW)	Voltage (VDC)	Max. Current (Amps DC)	Cooling	Efficiency
1	48	50	Naturally Cooled	\geq 80%
1.2		55		
1.5		60		
2		80		





GEARBOX & DIFFERENTIAL SPECIFICATIONS



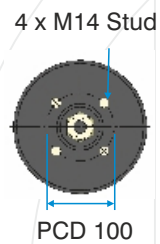
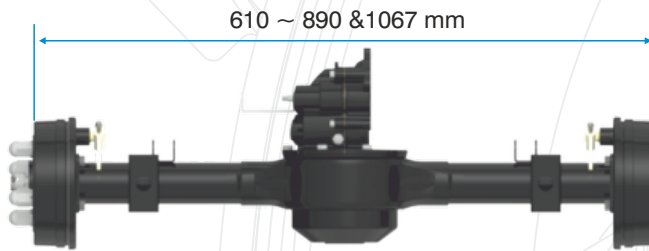
Single Speed Rigid Type Differential

Power (kW)	Size (mm)	Ratio (l)	Torque (Nm)	Brake
1	610	1:8.3 / 1:10 / 1:20.8	26 / 32 / 66	Ø130 Drum brake
1.2			31 / 37 / 77	
1.5			31 / 37 / 77	
2			37 / 45 / 94	

Double Speed Rigid Type Differential

Power (kW)	Size (mm)	Ratio (l)	Torque (Nm)	Brake
1	610	1:8.3 & 1:20.8	26 & 66	Ø130 Drum brake
1.2			31 & 77	
1.5			31 & 77	
2			37 & 94	

GEARBOX & DIFFERENTIAL SPECIFICATIONS



Single Speed Rigid Type Differential

Power (kW)	Size (mm)	Ratio (l)	Torque (Nm)	Brake
1	610~ 890 & 1067	1:8.3 / 1:10 / 1:20.8	26 / 32 / 66	Ø160 Drum & Ø180 hydraulic brake
1.2			31 / 37 / 77	
1.5			31 / 37 / 77	
2			37 / 45 / 94	

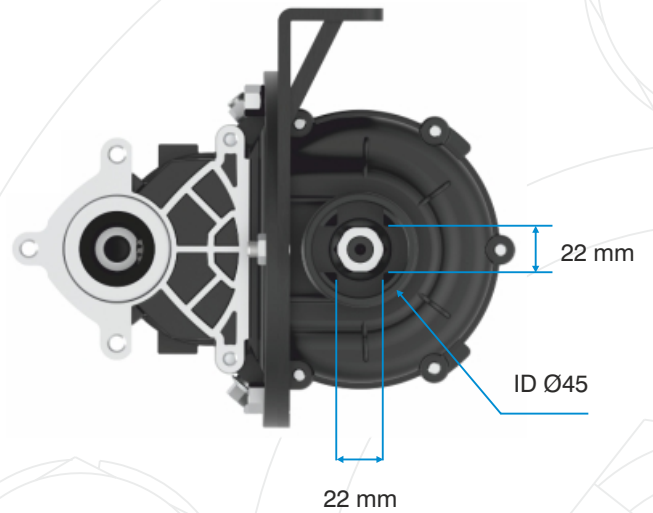
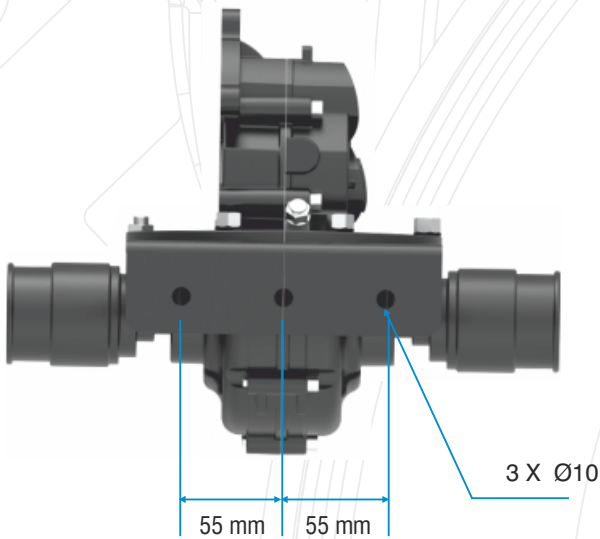
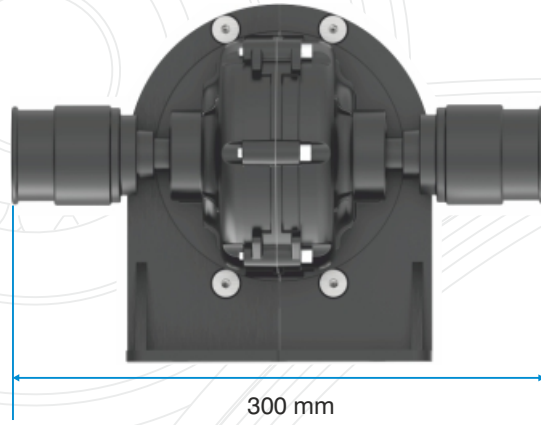
Double Speed Rigid Type Differential

Power (kW)	Size (mm)	Ratio (l)	Torque (Nm)	Brake
1	610~ 890 & 1067	1:8.3 & 1:20.8	26 & 66	Ø160 Drum & Ø180 hydraulic brake
1.2			31 & 77	
1.5			31 & 77	
2			37 & 94	





L3 FLOATING TYPE DIFFERENTIAL



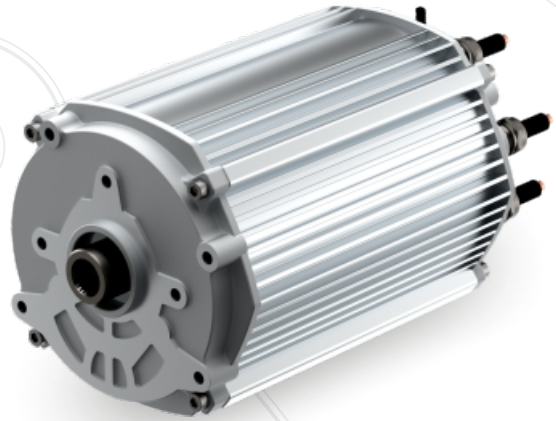
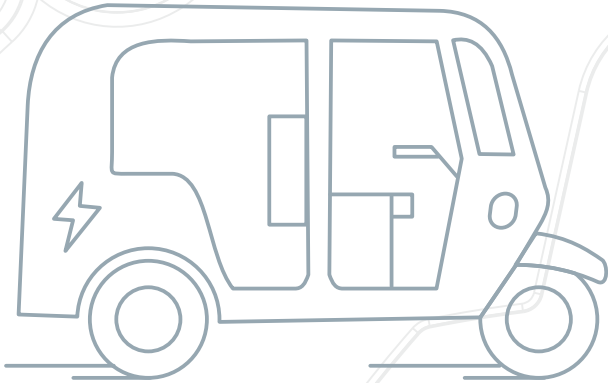
Single Speed Differential

Power (kW)	Size (mm)	Ratio (l)	Torque (Nm)	Cup Details
1	300	1:8.3 / 1:10 / 1:20.8	26 / 32 / 66	Biopod Cups
1.2			31 / 37 / 77	
1.5			31 / 37 / 77	
2			37 / 45 / 94	

Double Speed Differential

Power (kW)	Size (mm)	Ratio (l)	Torque (Nm)	Cup Details
1	300	1:8.3 & 1:20.8	26 & 66	Biopod Cups
1.2			31 & 77	
1.5			31 & 77	
2			37 & 94	



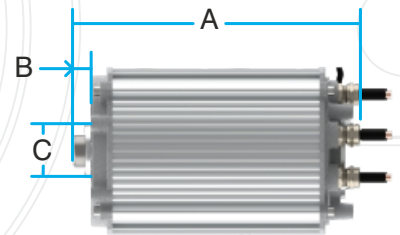


MAIN FEATURES

- PMSM Motor • Naturally Cooled • Encoder • IP - 65
- Internal Spline Shaft • Efficient Motor ($\geq 90\%$ - Efficiency)

MOTOR SPECIFICATIONS & DIMENSIONS

Power (kW)	Rated Voltage (VDC)	Rated Torque (Nm)	Rated Current (Amps DC)	Rated Speed (RPM)	Internal Spline Data		Dimensional Data		
					Module	No. of Spline	A	B	C
3	60	6.4	59	4500	1	18	256	16	50
4		8.5	79				276		
5		10.6	98				296		
6		12.7	118						

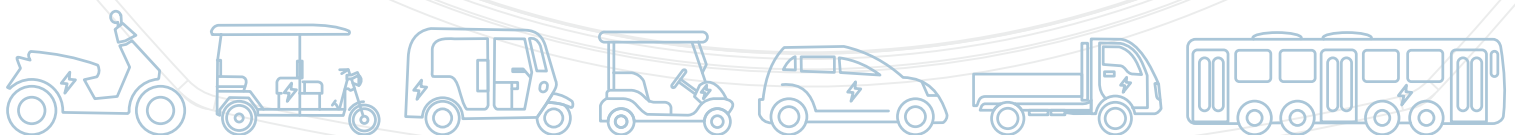


CONTROLLER SPECIFICATIONS



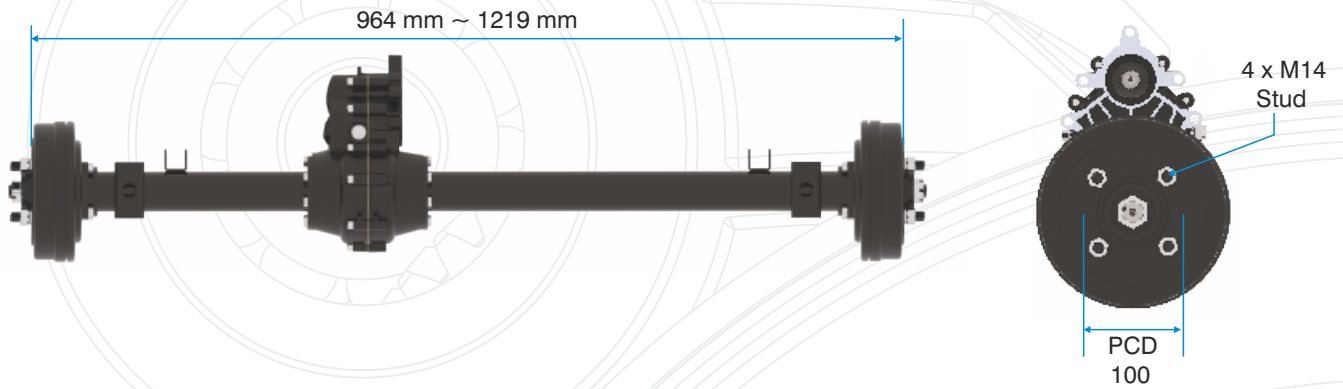
Power (kW)	Voltage (VDC)	Max. Current (Amps DC)	Cooling	Efficiency
3	60	100	Naturally Cooled	$\geq 90\%$
4		130		
5		190		
6		230		

Available with CAN



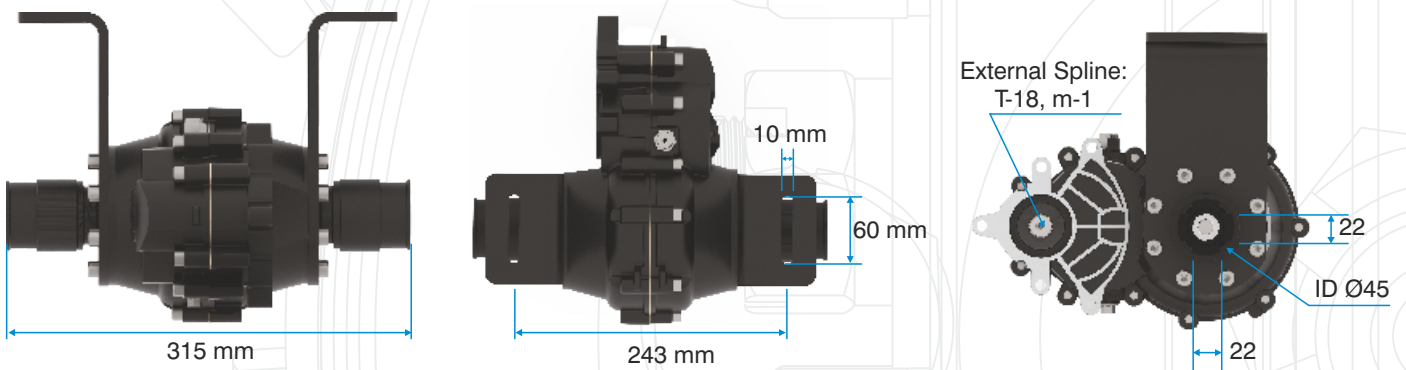


L5 SINGLE SPEED RIGID TYPE DIFFERENTIAL



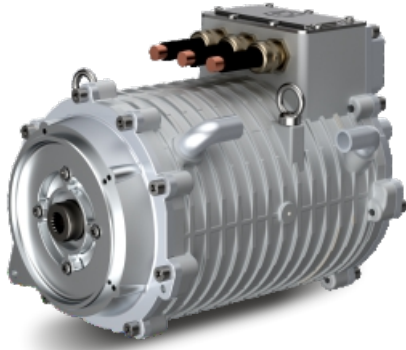
Power (kW)	Size (mm)	Ratio (l)	Torque (Nm)	Brake
3	964 ~1219	1:8 / 1:10 / 1:12	68 / 86 / 103	Ø180 Hydraulic brake
4			92 / 114 / 137	
5			114 / 143 / 172	
6			137 / 171 / 205	

L5 SINGLE SPEED FLOATING TYPE DIFFERENTIAL



Power (kW)	Size (mm)	Ratio (l)	Torque (Nm)	Cup Details
3	315	1:8 / 1:10 / 1:12	68 / 86 / 103	*Biopod cups
4			92 / 114 / 137	
5			114 / 143 / 172	
6			137 / 171 / 205	



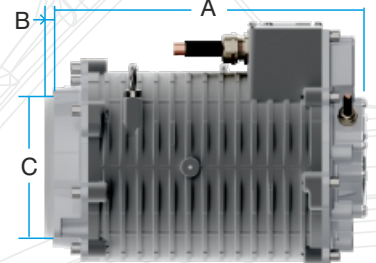


MAIN FEATURES

- PMSM Motor • Naturally Cooled • Liquid Cooled • Encoder • IP - 65
- Internal Spline Shaft • Efficient Motor ($\geq 90\%$ - Efficiency)

MOTOR SPECIFICATIONS & DIMENSIONS

Series	Power (kW)	Rated Voltage (VDC)	Rated Torque (Nm)	Rated Current (Amps DC)	Rated Speed (RPM)	Internal Spline Data		Dimensional Data			
						Module	No of Splines	A	B	C	
E10 Series	6	60	19	111	3000	1	18	200	9	155	
	7.5	72	23.8	115				220			
	10		31.8	154							
E15 Series	12	96	45.8	138	2500	1	18	355	9	155	
	13.8	92	26	156							5100
	15	96	57.3	160							2500
			29	184							5000



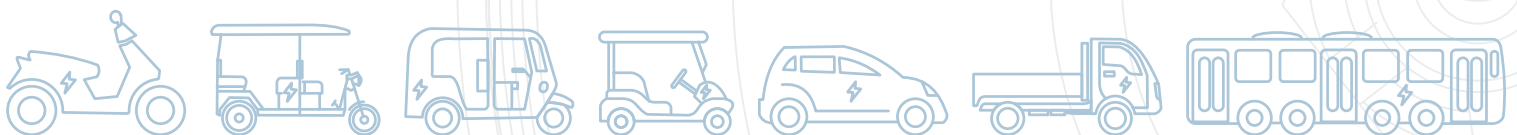
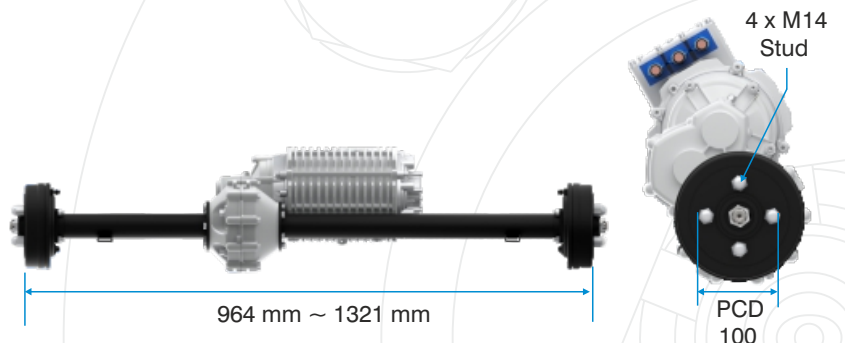
CONTROLLER SPECIFICATIONS

Series	Power (kW)	Voltage (VDC)	Max. Current (Amps DC)	Cooling	Efficiency
E10 Series	6	60	200	Naturally Cooled	$\geq 90\%$
	7.5	72	160		
	10		200		
E15 Series	12	96	325	Naturally Cooled	$\geq 90\%$
	15	96	420		



DIFFERENTIAL SPECIFICATIONS

Series	Power (kW)	Size (mm)	Ratio (I)	Torque (Nm)	Break
E10 Series	6	964 ~ 1219	1:10/ 1:16	171/274	Ø180 Hydraulic brake
	7.5			214/343	
	10			286/458	
E15 Series	12	964 ~ 1219	1:10/ 1:16	412/660	Ø180 Hydraulic brake
	13.8			234/374	
	15			516/825	



MANUFACTURING CAPABILITIES



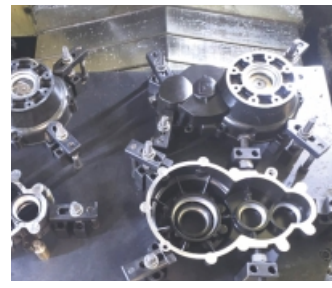
GEAR MANUFACTURING



WINDING & IMPREGNATION



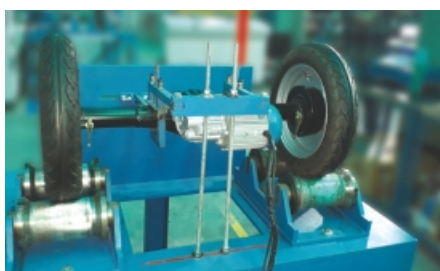
FABRICATION



HOUSING MACHINING



ASSEMBLY



TESTING

ROTOMAG

DC MOTORS FOR
INDUSTRIAL APPLICATIONS

www.rotomag.com

ROTOMAG
Water from the Sun

SURFACE & SUBMERSIBLE
SOLAR PUMPS

www.rotosol.solar

rotomotive
looks good. performs better.

AC MOTORS AND
GEARBOXES

www.rotomotive.com



PLANETARY & CYCLODIAL
GEARBOXES

www.cyplagear.com



Rotomotive Powerdrives India Ltd.

223, Napa Talpad, Gana-Borsad Road,
Tal: Borsad, Anand-388560 Gujarat, India

Phone : +91 93167 49042 / +91 93279 22250

Email : rotodrive@rotomotive.com

Web : www.rotodrive.com

Technical specifications/details mentioned in this leaflet are subject to change without prior notice.
Please contact our sales/marketing team for any updated information or any change done.



Rotodrive™ is a brand of Rotomotive Powerdrives India Ltd.