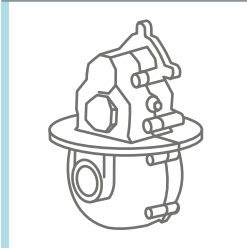
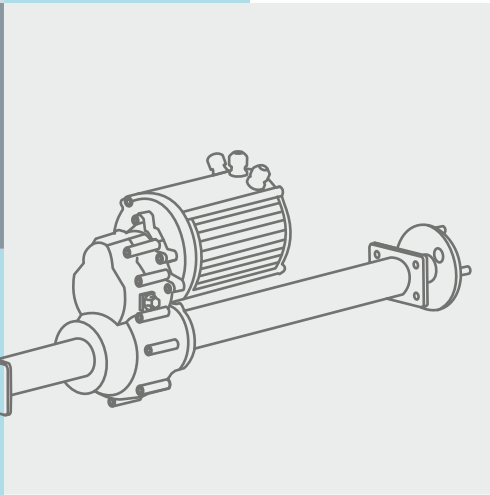
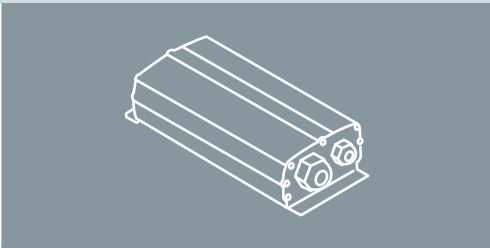
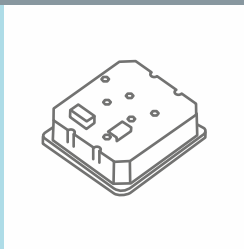
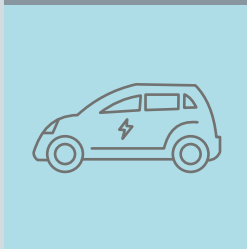
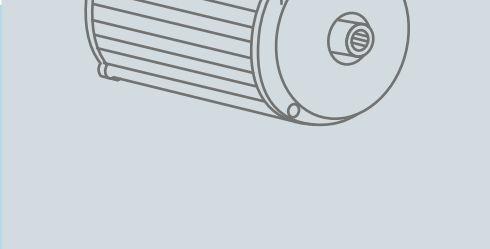
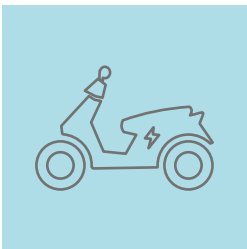
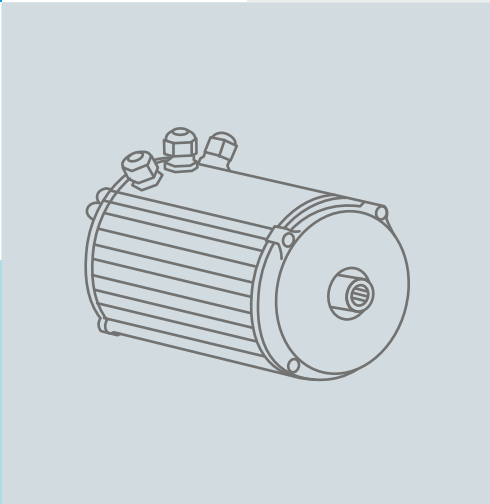
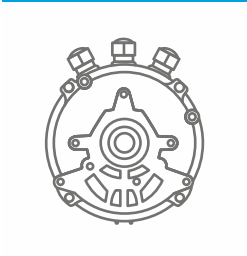
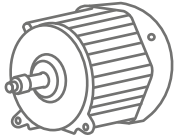





rotodrive
Powering e-mobility




DRIVE SOLUTIONS FOR E-VEHICLES




Rotodrive is unit of Rotomotive Powerdrives India Limited, part of Rotomag group, which since 25 years has been a leading manufacturer of PMDC motors, BLDC motors, AC motors, Gearboxes for a variety of battery operated applications, industrial as well as marine applications. Rotodrive Drive Solutions are ideally suited for harsh Indian conditions and high temperature fluctuations. After extensive in-house research and rigorous testing, the Rotodrive drive solutions offer higher reliability and superior performance which ensures that the e-vehicles using the drive train would benefit from a higher return on investment. A pan India support network ensures a quick response to customer needs.




Leader in Permanent Magnet & BLDC Motors in India




12 Lacs+ motors & Gearboxes installed



Core competence in PMDC, BLDC, AC, and Gear motor technologies




Joint ventures with European partners



Large production capacity & 2 lacs sq. feet factory space to facilitate quick ramp up



Exports to 35 countries globally



Supplies to critical applications like Automotive, Wind, Marine, Railways

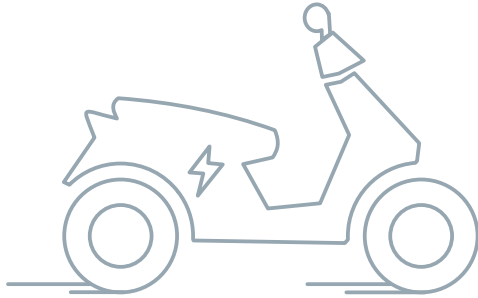


55+ service centres in India



500 employees





MAIN FEATURES

- Naturally Cooled
- Hall Sensor • IP - 65
- Efficient Motor ($\geq 80\%$ - Efficiency)
- Efficient Controller ($\geq 90\%$ - Efficiency)

10" HUB MOTOR

12" HUB MOTOR

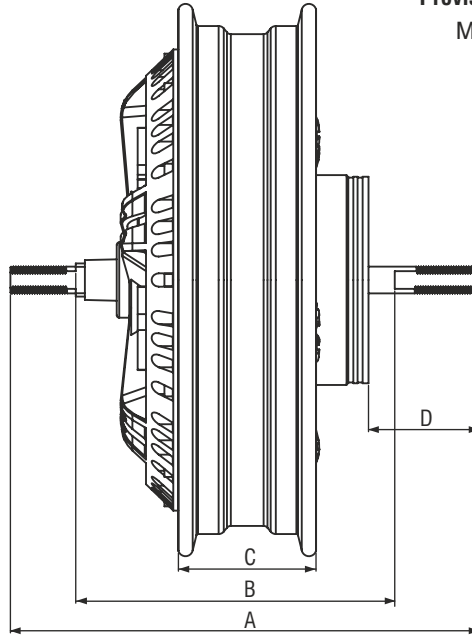
MOTOR SPECIFICATIONS & DIMENSIONS

Power (kW)	Rated Voltage (VDC)	Rated Torque (Nm)	Rated Current (Amps DC)	Rated Speed (RPM)	Dimensional Data			
					A	B	C	D
0.5	48	12	14	400	270	195	72	64.5
1		24	27	400				

Power (kW)	Rated Voltage (VDC)	Rated Torque (Nm)	Rated Current (Amps DC)	Rated Speed (RPM)	Dimensional Data			
					A	B	C	D
1.5	60	30	33	500	280	205	82	71.5
2.2		35	47	600				

Provision for Brake: Brake drum $\varnothing 110$

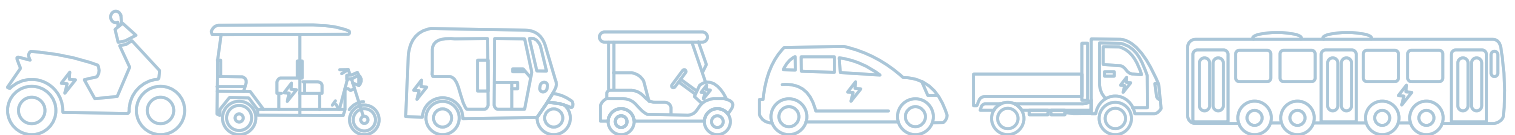
Provision for Brake: Brake drum $\varnothing 110$ (1.5 kW)
 Mounting for brake disk 3 Nos, -M8 thread, PCD 80 mm (2.2 kW)

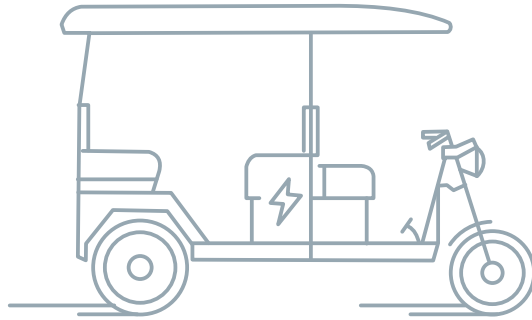


CONTROLLER SPECIFICATIONS

Power (kW)	Voltage (VDC)	Max. Current (Amps DC)	Cooling	Efficiency
0.5	48	32	Naturally Cooled	$\geq 90\%$
1				

Power (kW)	Voltage (VDC)	Max. Current (Amps DC)	Cooling	Efficiency
1.5	60	40	Naturally Cooled	$\geq 90\%$
2.2		50		



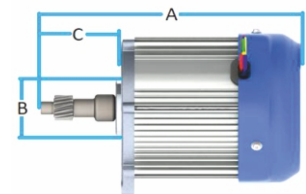


MAIN FEATURES

- BLDC Motor • Fan Cooled
- Hall Sensor • IP - 54
- Pinion Shaft & Keyway Shaft
- Efficient Motor ($\geq 80\%$ - Efficiency)

MOTOR SPECIFICATIONS & DIMENSIONS

Power (kW)	Rated Voltage (VDC)	Rated Torque (Nm)	Rated Current (Amps DC)	Rated Speed (RPM)	Pinion Data		Dimensional Data		
					Module	No. of Teeth	A	B	C
1	48	3.5	32	3000	1.25	16	212	50	65.5
1.2		35	3500						
1.5		49	3500	242					
2		60	3600						

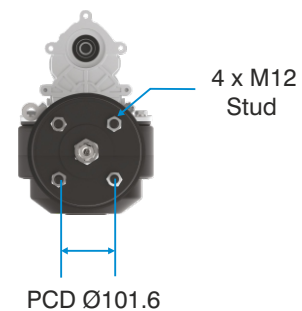
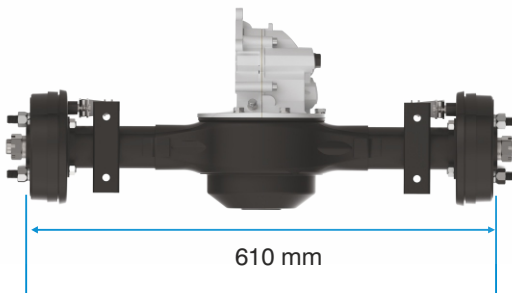


CONTROLLER SPECIFICATIONS

Power (kW)	Voltage (VDC)	Max. Current (Amps DC)	Cooling	Efficiency
1	48	50	Naturally Cooled	$\geq 80\%$
1.2		55		
1.5		60		
2		80		



GEARBOX & DIFFERENTIAL SPECIFICATIONS



Single Speed Rigid Type Differential

Power (kW)	Size (mm)	Ratio (l)	Torque (Nm)	Brake
1	610	1:8.3 / 1:10 / 1:20.8	26 / 32 / 66	Ø130 Drum brake
1.2			31 / 37 / 77	
1.5			31 / 37 / 77	
2			37 / 45 / 94	

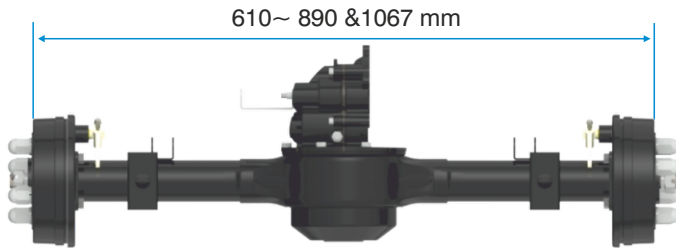
Double Speed Rigid Type Differential

Power (kW)	Size (mm)	Ratio (l)	Torque (Nm)	Brake
1	610	1:8.3 & 1:20.8	26 & 66	Ø130 Drum brake
1.2			31 & 77	
1.5			31 & 77	
2			37 & 94	

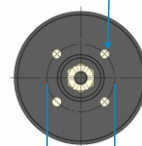




GEARBOX & DIFFERENTIAL SPECIFICATIONS



4 x M14 Stud



PCD 100

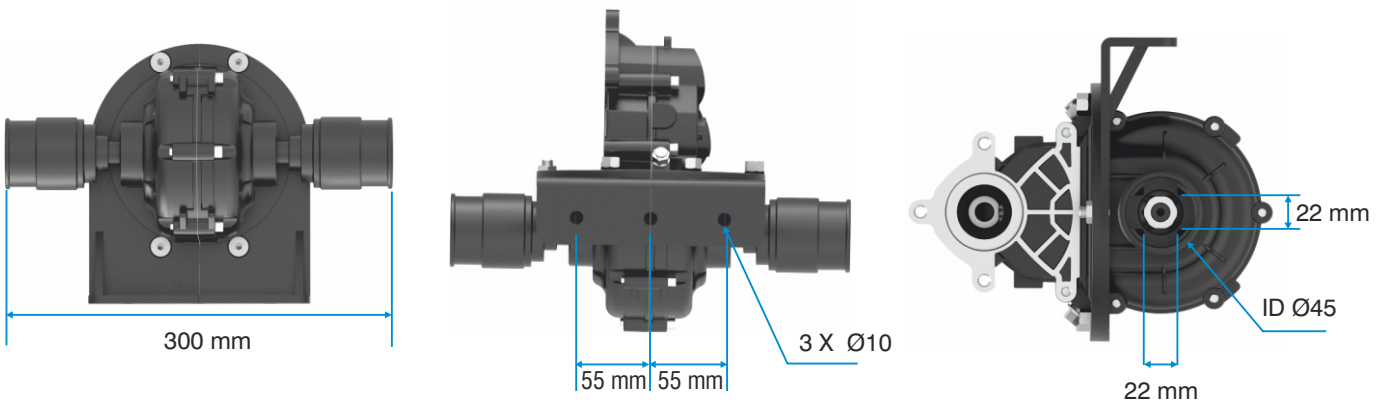
Single Speed Rigid Type Differential

Power (kW)	Size (mm)	Ratio (l)	Torque (Nm)	Brake
1	610~ 890 & 1067	1:8.3 / 1:10 / 1:20.8	26 / 32 / 66	Ø160 drum and hydraulic brake
1.2			31 / 37 / 77	
1.5			31 / 37 / 77	
2			37 / 45 / 94	

Double Speed Rigid Type Differential

Power (kW)	Size (mm)	Ratio (l)	Torque (Nm)	Brake
1	610~ 890 & 1067	1:8.3 & 1:20.8	26 & 66	Ø160 drum and hydraulic brake
1.2			31 & 77	
1.5			31 & 77	
2			37 & 94	

L3 FLOATING TYPE DIFFERENTIAL



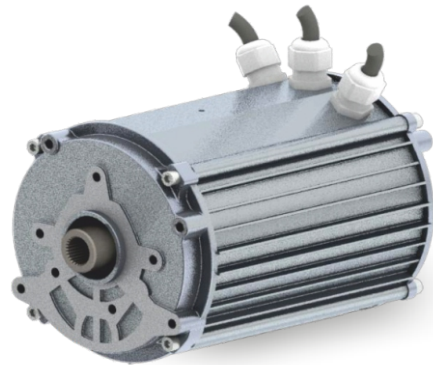
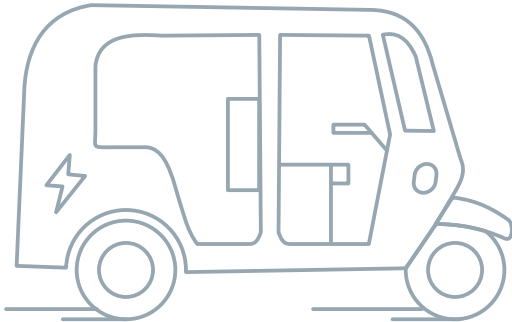
Single Speed Differential

Power (kW)	Size (mm)	Ratio (l)	Torque (Nm)	Cup Details
1	300	1:8.3 / 1:10 / 1:20.8	26 / 32 / 66	Biopod Cups
1.2			31 / 37 / 77	
1.5			31 / 37 / 77	
2			37 / 45 / 94	

Double Speed Differential

Power (kW)	Size (mm)	Ratio (l)	Torque (Nm)	Cup Details
1	300	1:8.3 & 1:20.8	26 & 66	Biopod Cups
1.2			31 & 77	
1.5			31 & 77	
2			37 & 94	



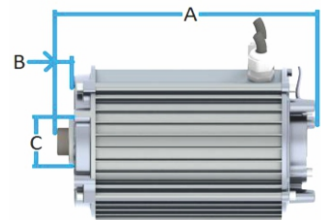


MAIN FEATURES

- PMSM Motor • Naturally Cooled • Encoder • IP - 65
- Internal Spline Shaft • Efficient Motor (≥ 90% - Efficiency)

MOTOR SPECIFICATIONS & DIMENSIONS

Power (kW)	Rated Voltage (VDC)	Rated Torque (Nm)	Rated Current (Amps DC)	Rated Speed (RPM)	Internal Spline Data		Dimensional Data		
					Module	No. of Spline	A	B	C
3	60	9.5	55	3000	1	18	250	16	50
4		12.7	74				290		
5		15.9	92				350		
6		19	111						



CONTROLLER SPECIFICATIONS



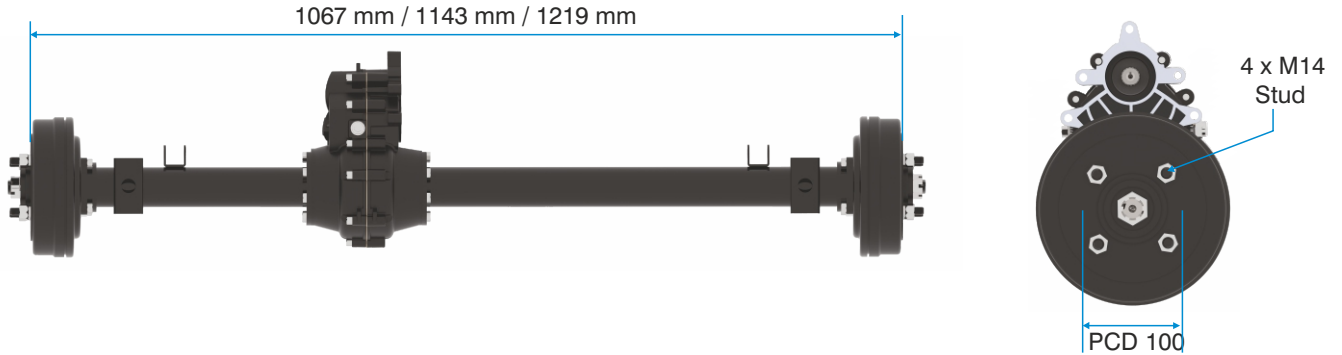
Power (kW)	Voltage (VDC)	Max. Current (Amps DC)	Cooling	Efficiency
3	60	140	Naturally Cooled	≥90%
4		180		
5		200		
6				

Available with CAN



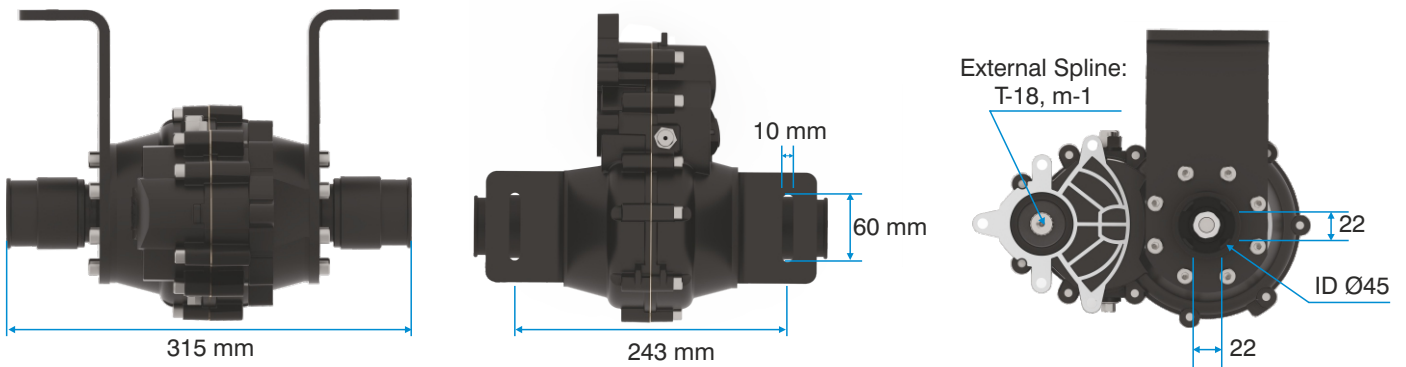


L5 SINGLE SPEED RIGID TYPE DIFFERENTIAL



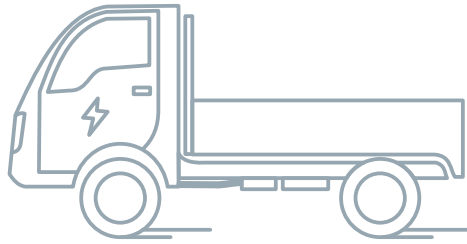
Power (kW)	Size (mm)	Ratio (l)	Torque (Nm)	Brake
3	1067 / 1143 / 1219	1:8 / 1:10 / 1:12	68 / 86 / 103	Ø180 Hydraulic brake
4			92 / 114 / 137	
5			114 / 143 / 172	
6			137 / 171 / 205	

L5 SINGLE SPEED FLOATING TYPE DIFFERENTIAL



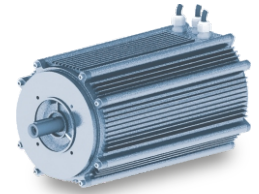
Power (kW)	Size (mm)	Ratio (l)	Torque (Nm)	Cup Details
3	315	1:8 / 1:10 / 1:12	68 / 86 / 103	*Biopod cups
4			92 / 114 / 137	
5			114 / 143 / 172	
6			137 / 171 / 205	





MAIN FEATURES

- PMSM Motor
- Naturally Cooled
- Encoder • IP - 65
- Keyway Shaft
- Efficient Motor ($\geq 90\%$ - Efficiency)



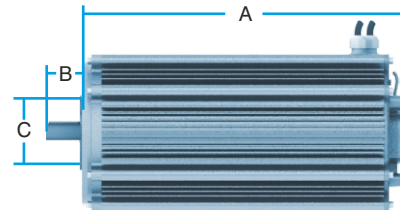
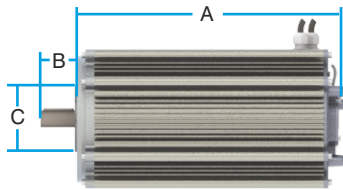
E 10 SERIES

E 15 SERIES

MOTOR SPECIFICATIONS & DIMENSIONS

Power (kW)	Rated Voltage (VDC)	Rated Torque (Nm)	Rated Current (Amps DC)	Rated Speed (RPM)	Dimensional Data		
					A	B	C
7.5	72	23.8	115	3000	390	60	110
10		31.8	154		440		

Power (kW)	Rated Voltage (VDC)	Rated Torque (Nm)	Rated Current (Amps DC)	Rated Speed (RPM)	Dimensional Data		
					A	B	C
12	96	45.8	138	2500	405	60	110
15		57.3	160		450		



CONTROLLER SPECIFICATIONS

Power (kW)	Voltage (VDC)	Max. Current (Amps DC)	Cooling	Efficiency
7.5	72	160	Naturally Cooled	$\geq 90\%$
10		200		

Power (kW)	Voltage (VDC)	Max. Current (Amps DC)	Cooling	Efficiency
12	96	325	Naturally Cooled	$\geq 90\%$
15		420		



GEARBOX & DIFFERENTIAL SPECIFICATIONS

Single Stage

Power (kW)	Size (Inch)	Ratio (I)	Torque (Nm)
7.5	-	1:2.25	51
10			68

Single Stage

Power (kW)	Size (Inch)	Ratio (I)	Torque (Nm)
12	-	1:2.25	98
15			122



MANUFACTURING CAPABILITIES



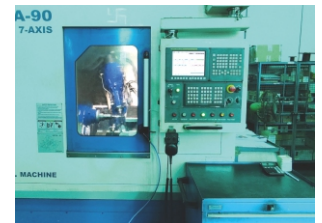
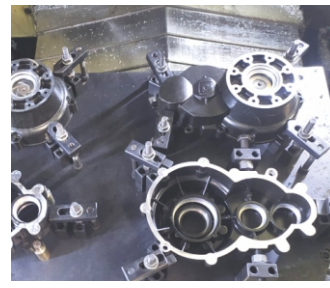
GEAR MANUFACTURING



WINDING & IMPREGNATION



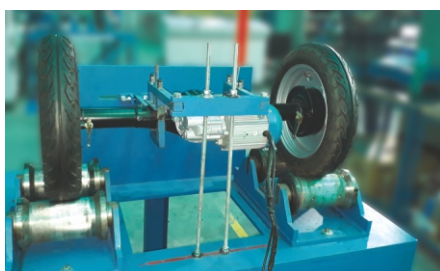
FABRICATION



HOUSING MACHINING



ASSEMBLY



TESTING

ROTO MAG

DC MOTORS FOR
INDUSTRIAL APPLICATIONS

www.rotomag.com

ROTO SOL
Water from the Sun

SURFACE & SUBMERSIBLE
SOLAR PUMPS

www.rotosol.solar

rotomotive
looks good. performs better.

AC MOTORS AND
GEARBOXES

www.rotomotive.com



PLANETARY & CYCLODIAL
GEARBOXES

www.cyplagear.com



Rotomotive Powerdrives India Ltd.

223, Napa Talpad, Gana-Borsad Road,
Tal: Borsad, Anand-388560 Gujarat, India

Phone : +91 93167 49042 / +91 93279 22250

Email : rotodrive@rotomotive.com

Web : www.rotodrive.com

Technical specifications/details mentioned in this leaflet are subject to change without prior notice.
Please contact our sales/marketing team for any updated information or any change done.



Rotodrive™ is a brand of Rotomotive Powerdrives India Ltd.